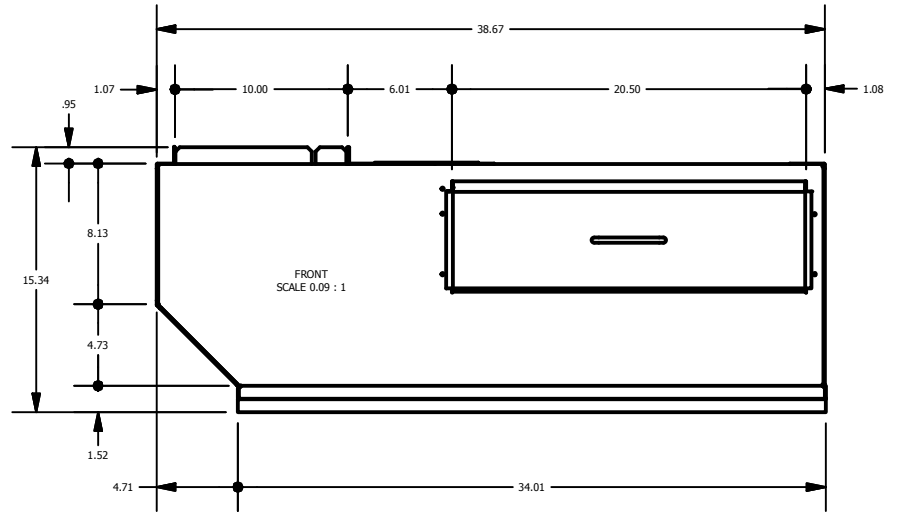
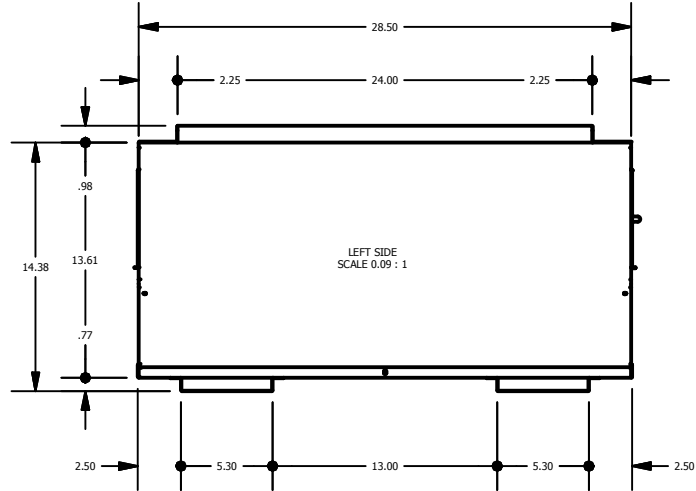
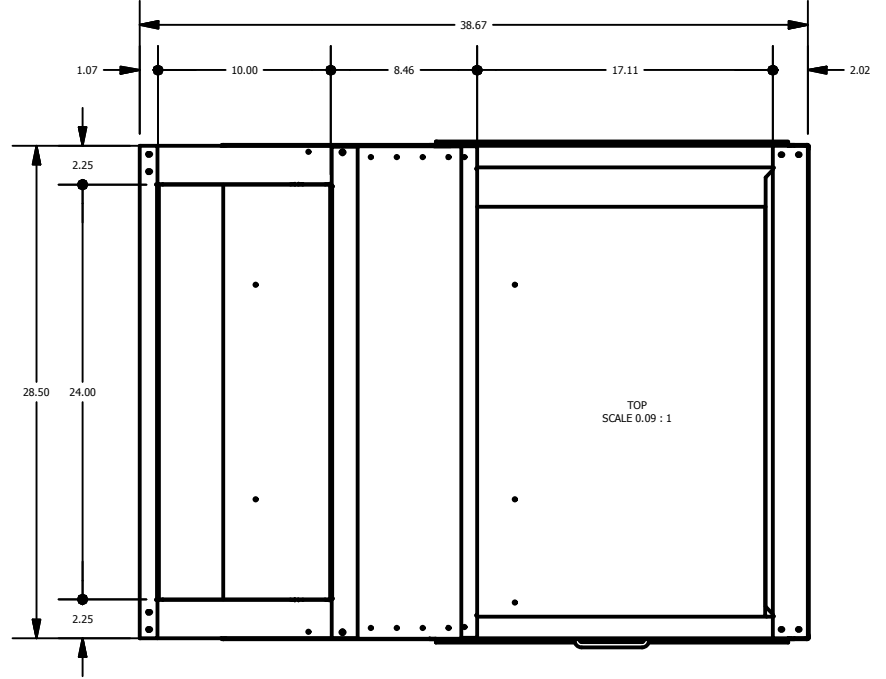
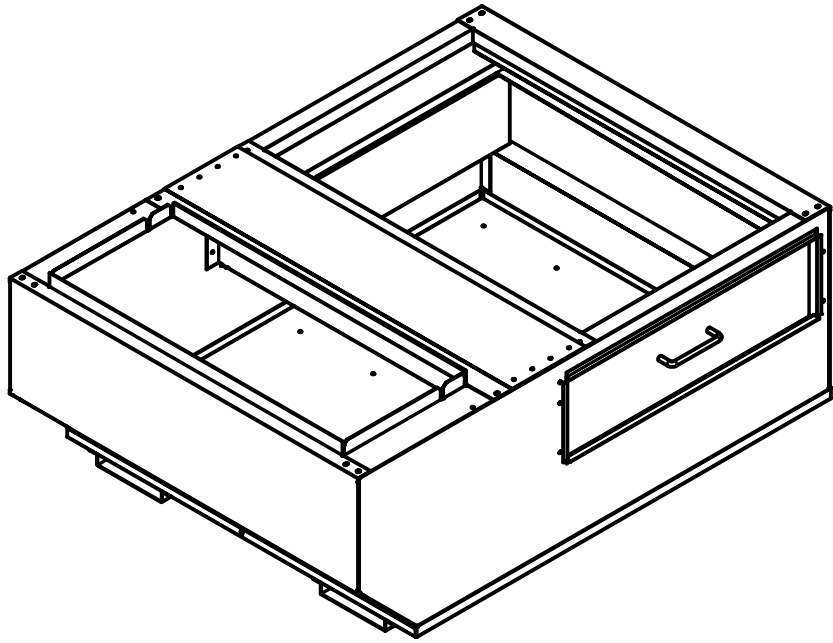
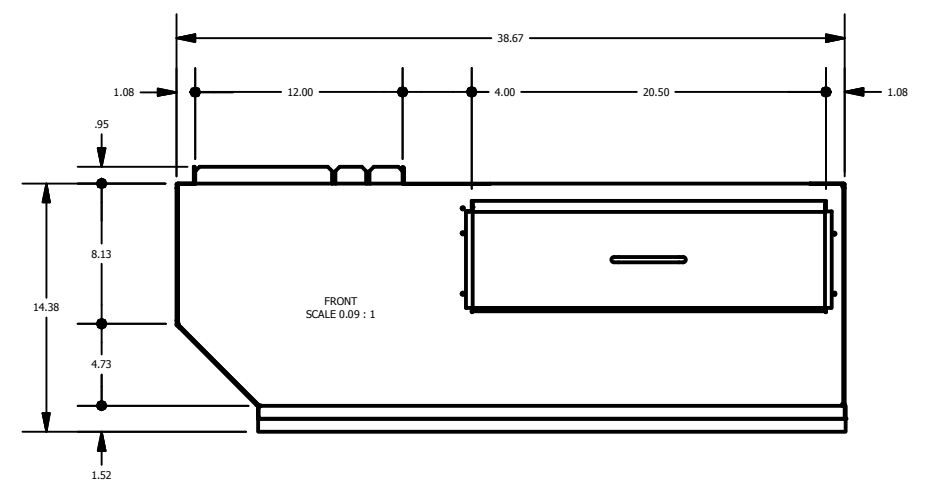
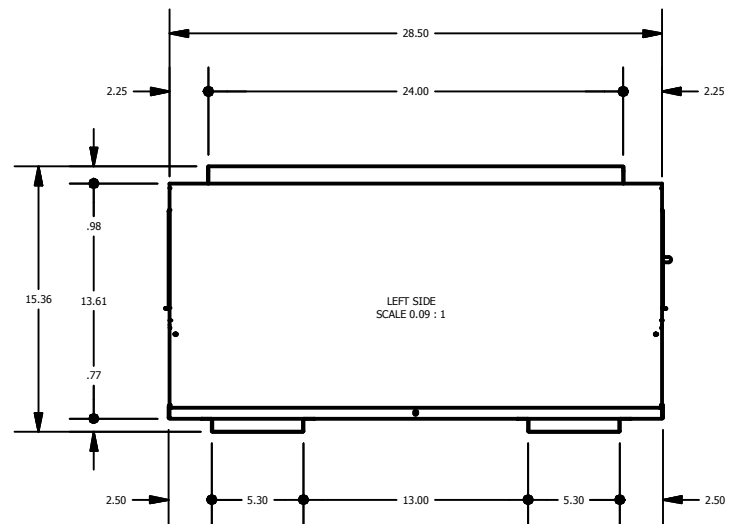
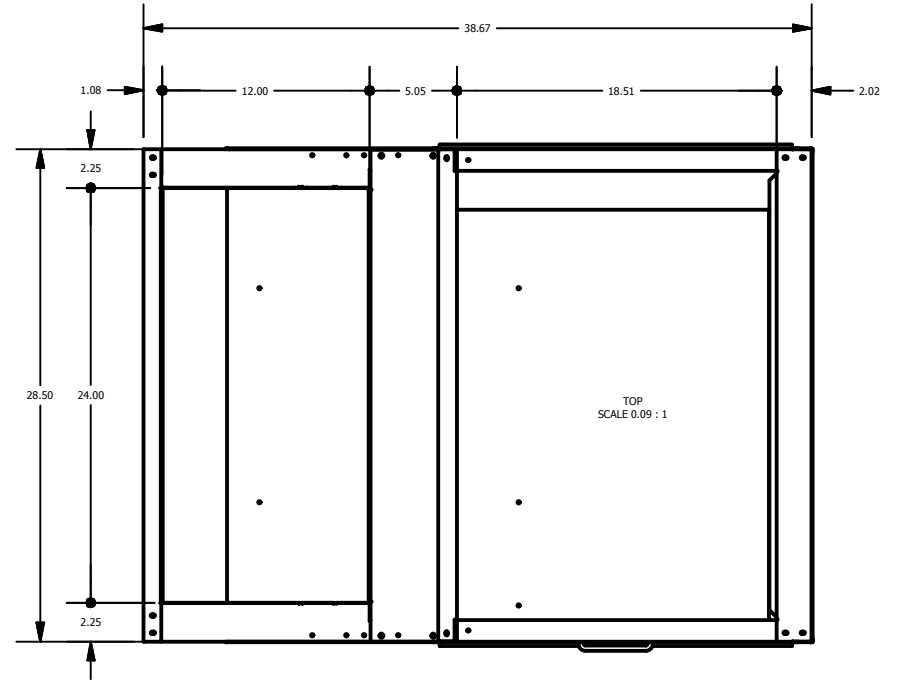
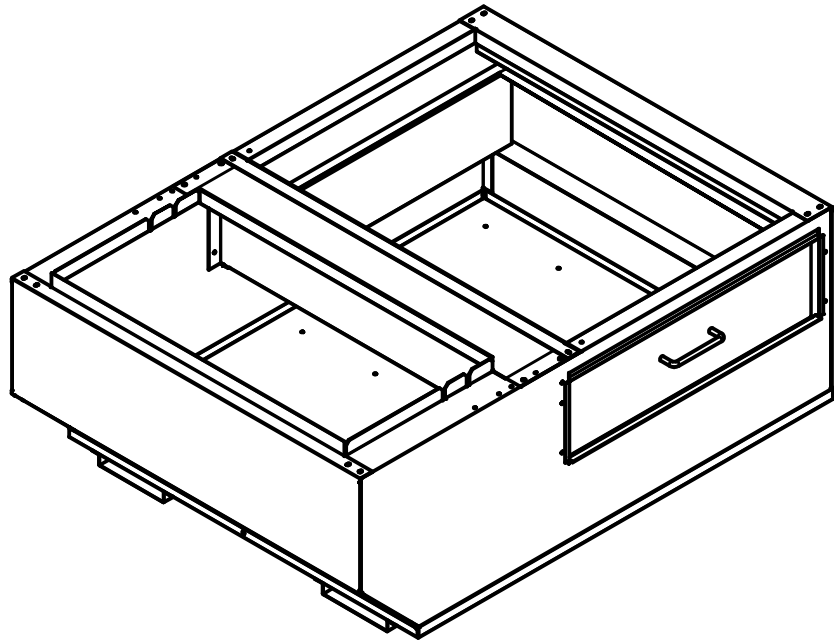


PROPRIETARY AND CONFIDENTIAL THE INFORMATION CONTAINED IN THIS IS THE SOLE PROPERTY OF TRADESMAN MANUFACTURING. ANY REPRODUCTION IN PART OR AS A WHOLE WITHOUT WRITTEN PERMISSION OF TRADESMAN MANUFACTURING, IS PROHIBITED.		TRADESMAN MFG. LETHBRIDGE, AB, T1H 6W5 CANADA			
UNLESS OTHERWISE SPECIFIED ALL DIMENSIONS AND TOLERANCES AS PER ASME Y14.5 2009 DIMENSIONS ARE IN INCHES TOLERANCES: FRACTIONAL ± 1/32 .XXX ± 0.05 .XXXX ± 0.005 WELDMENT ± 1/16 ANGULAR BEND ± 1°		TITLE: <p style="text-align: center; font-size: 1.2em;">FUR-STD RA- 8"</p>			
DRAWN BY ENG APPR.		NAME DATE 28/07/2015		SIZE A	
MATERIAL: (0.024) CS TYPE B GALVE		SCALE: 0.09:1		WEIGHT: N/A REV:	
DO NOT SCALE DRAWING		SCALE: 0.09:1		SHEET 1 / 3	



PROPRIETARY AND CONFIDENTIAL THE INFORMATION CONTAINED IN THIS IS THE SOLE PROPERTY OF TRADESMAN MANUFACTURING. ANY REPRODUCTION IN PART OR AS A WHOLE WITHOUT WRITTEN PERMISSION OF TRADESMAN MANUFACTURING, IS PROHIBITED.		TRADESMAN MFG. LETHBRIDGE, AB, T1H 6W5 CANADA			
UNLESS OTHERWISE SPECIFIED ALL DIMENSIONS AND TOLERANCES AS PER ASME Y14.5 2009 DIMENSIONS ARE IN INCHES TOLERANCES: FRACTIONAL ± 1/32 .XXX ± 0.05 .XXXX ± 0.005 WELDMENT ± 1/16 ANGULAR BEND ± 1°		TITLE: <p style="text-align: center;">FUR-STD RA-10"</p>		MATERIAL: <p style="text-align: center;">(0.024) CS TYPE B GALVE</p>	
DRAWN BY ENG APPR.	NAME DATE 28/07/2015	SIZE A	WEIGHT: N/A	REV:	SHEET 2 / 3
DO NOT SCALE DRAWING		SCALE: 0.09:1	WEIGHT: N/A	REV:	SHEET 2 / 3



PROPRIETARY AND CONFIDENTIAL THE INFORMATION CONTAINED IN THIS IS THE SOLE PROPERTY OF TRADESMAN MANUFACTURING. ANY REPRODUCTION IN PART OR AS A WHOLE WITHOUT WRITTEN PERMISSION OF TRADESMAN MANUFACTURING, IS PROHIBITED.		TRADESMAN MFG. LETHBRIDGE, AB, T1H 6W5 CANADA			
UNLESS OTHERWISE SPECIFIED ALL DIMENSIONS AND TOLERANCES AS PER ASME Y14.5 2009 DIMENSIONS ARE IN INCHES TOLERANCES: FRACTIONAL ± 1/32 XXX ± 0.05 XXXX ± 0.005 WELDMENT ± 1/16 ANGULAR BEND ± 1°		TITLE: <p style="text-align: center;">FUR-STD RA-12</p>		MATERIAL: <p style="text-align: center;">(0.024) CS TYPE B GALVE</p>	
NAME DATE DRAWN BY ENG APPR.	DATE 28/07/2015	SIZE A	WEIGHT: N/A	REV:	SHEET 3 / 3
DO NOT SCALE DRAWING		SCALE: 0.09:1	WEIGHT: N/A	REV:	SHEET 3 / 3